

F10 Series Encoder

120



Features

- Compact miniature design
- A, B, Z incremental signal output
- Differential RS 422 incremental output signals
- Super small non-contact magnetic technology
- 16 mm diameter body

Technical data - electrical ratings

Voltage supply	5VDC \pm %5
Interface	ABZ; Line Driver RS422
Resolution (steps/turn)	up to 4096 CPR

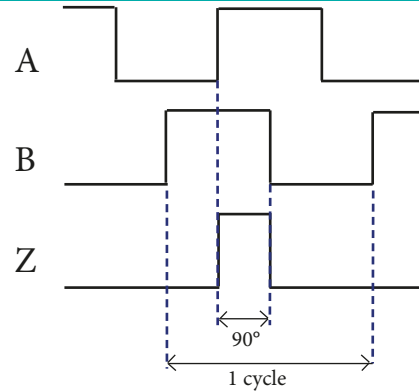
Technical data - mechanical design

Dimensions	16 mm
Materials	Housing : Aluminium
Magnet	4x4 mm NdFeB
Wire thickness	AWG28

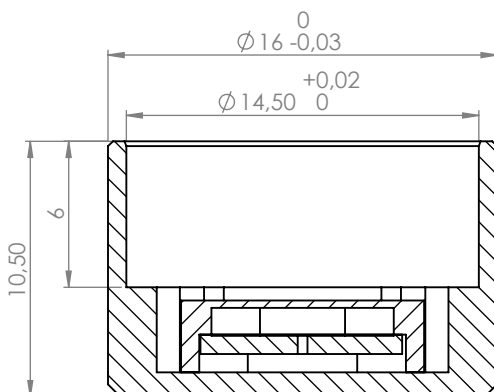
Connections

Function	Color	Renk	Explanation
+5V	Brown	Kahve	Supply Voltage
GND	White	Beyaz	Ground
A	Green	Yeşil	A Channel
B	Red	Sarı	B Channel
Z	Yellow	Gri	Z Channel
Shield	Pink	Siyah	Shield

Pulse Diagram



Mechanical Dimensions



Encoder Part Number

