

FNC F229K SC Series



Features

- Designed for motor feedback applications
- One period sincos signals
- Differential 4 Vpp signals
- Non-contact magnetic technology
- 22 mm diameter body

Technical data - electrical ratings

Voltage supply	5VDC \pm %5
Interface	4 Vpp Sine and cosine
Resolution (steps/turn) :	One per revolution

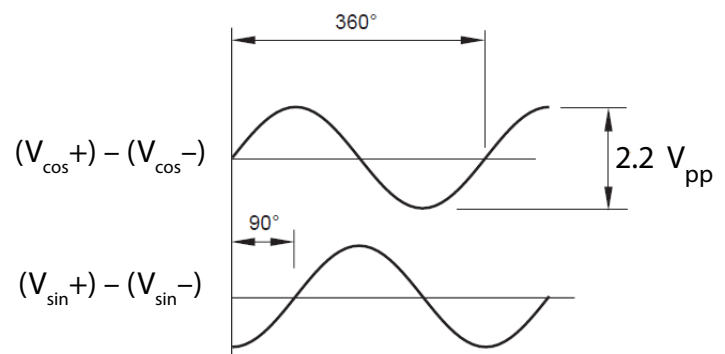
Technical data - mechanical design

Dimensions	\varnothing 22 mm
Mount Diameter	29 mm
Materials	Housing: Aluminium Cover: Aluminium
Magnet actuator	for integration into 6 mm shaft

Connection

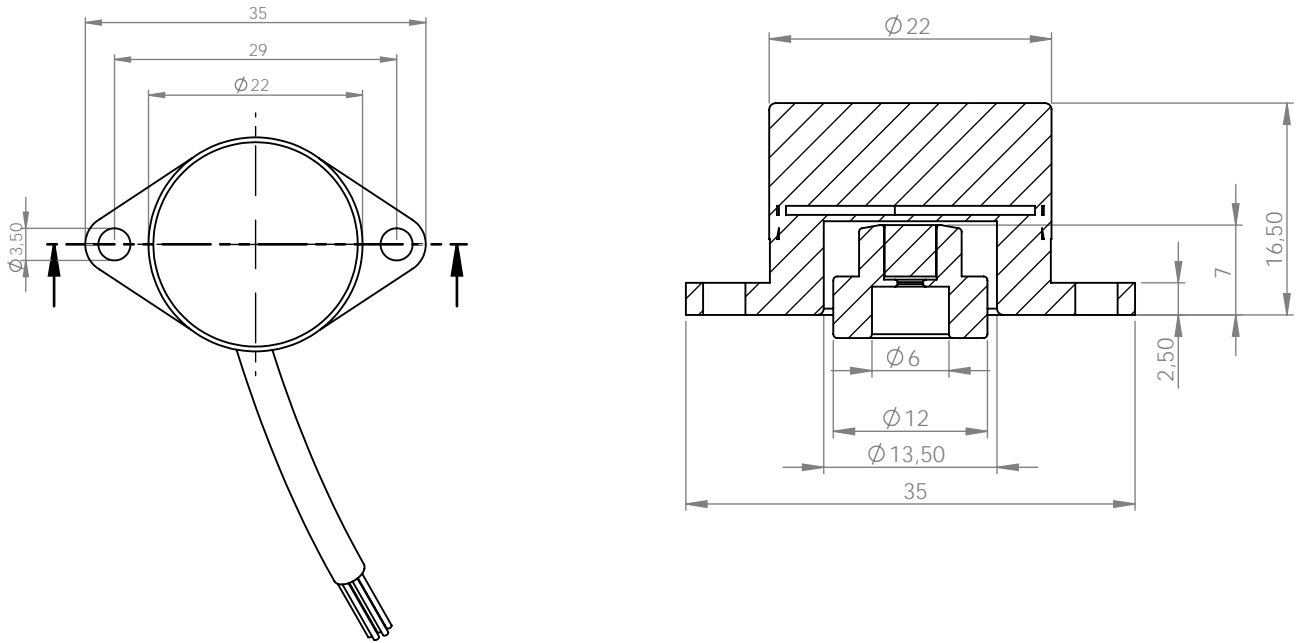
Function	Color
+5V	Red
GND	Black
Sin+	Orange
Sin-	Orange-White
Cos+	Blue
Cos-	Blue-White

Pulse Diagram

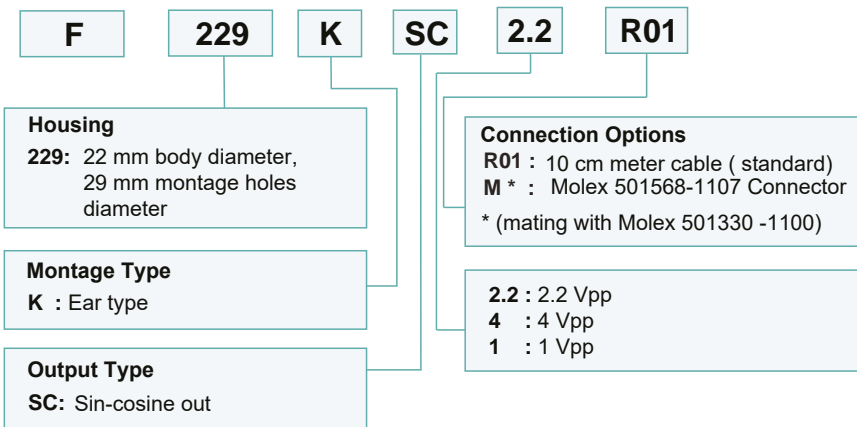


FNC F229K SC Series

Mechanical Dimensions



Part Number



Magnet Holder

