

## FNC F229K UVW Series



### Features

- Designed for motor feedback applications
- Both A, B, Z incremental and U, V, W commutation signals
- Differential RS 422 incremental output signals.
- Non-contact magnetic technology
- 22 mm diameter body

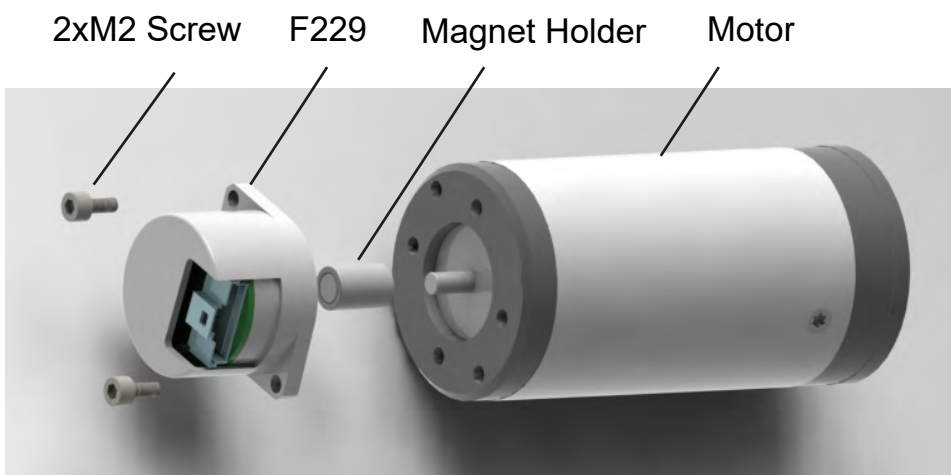
### Technical data - electrical ratings

Voltage supply	5VDC $\pm$ %5
Interface	ABZ ; Line Driver RS422 UVW ; ( $\pm$ 24 mA output drive)
Resolution (steps/turn) :	up to 4096 CPR
Commutaiton Signals :	up to 16 pole

### Technical data - mechanical design

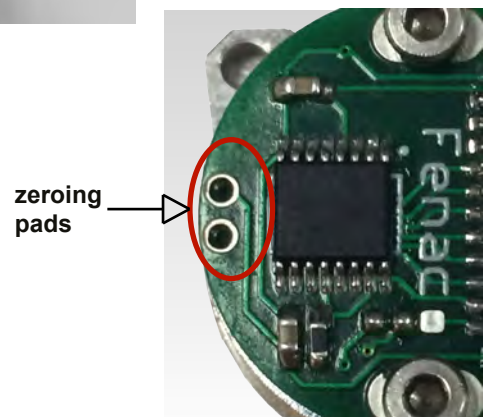
Dimensions	$\varnothing$ 22 mm
Mount Diameter	26 mm
Materials	Housing: Aluminium Cover: Aluminium
Magnet actuator	for integration into 3 mm shaft

### Installation Guide

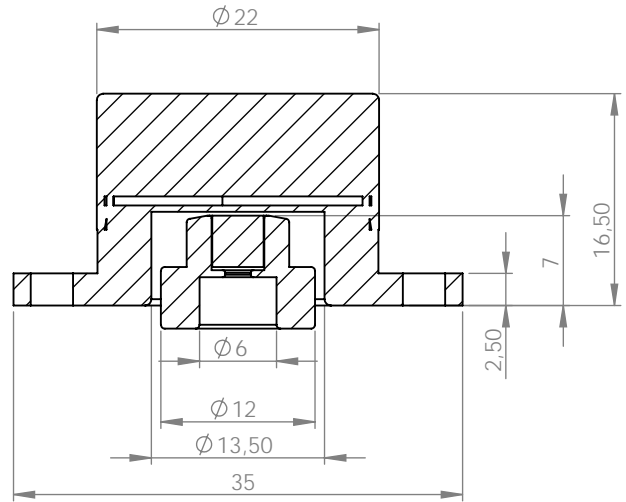
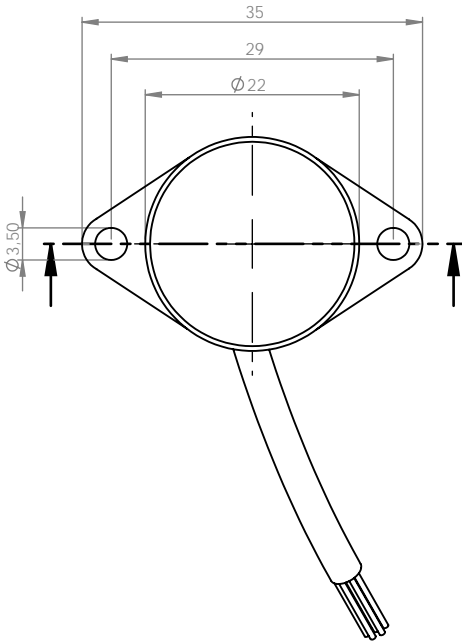


### Zero the UVW signals

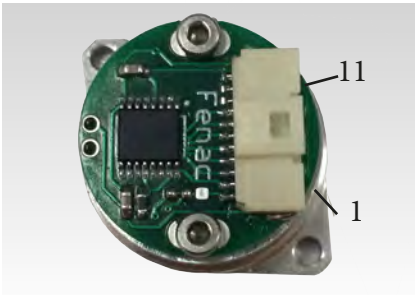
First move the motor to the required zero UVW position. Short together the two zeroing pads.



#### Mechanical Dimensions

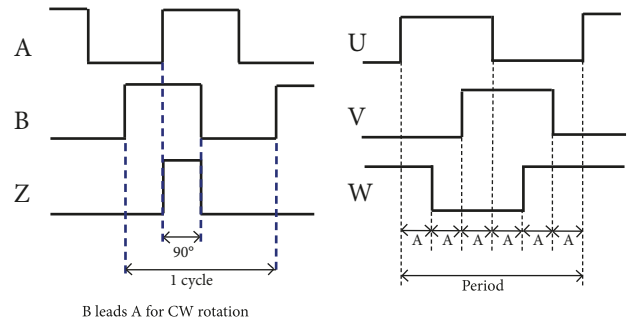


#### Connection



Pin	Function
11	W
10	V
9	U
8	A+
7	A-
6	B-
5	B+
4	Z+
3	Z-
2	+5V
1	GND

#### Pulse Diagram



#### Encoder Part Number

##### Commutation Version

**F** **229** **K** **A** **7** **R01**

**Housing**  
229: 22 mm body diameter, 29 mm montage holes diameter

**Montage Type**  
K : Ear type

**Commutation Signals**  
A : 2 pole  
B : 4 pole  
C : 6 pole  
D : 8 pole  
E : 10 pole  
F : 12 pole  
G : 14 pole  
H : 16 pole

**Connection Options**  
R01 : 10 cm meter cable ( standard)  
M\* : Molex 501568-1107 Connector  
\* (mating with Molex 501330 -1100)

**Resolution**  
7 : 128 ppr / 512 cpr  
8 : 256 ppr / 1024 cpr  
9 : 512 ppr / 2048 cpr  
10 : 1024 ppr / 4096 cpr

##### Incremental Version

**F** **229** **K** **1024** **R01**

**Housing**  
229: 22 mm body diameter, 29 mm montage holes diameter

**Montage Type**  
K : Ear type

**Connection Options**  
R01 : 10 cm meter cable ( standard)  
M\* : Molex 501568-1107 Connector  
\* (mating with Molex 501330 -1100)

**Resolution**  
up to 4096 ppr

##### Magnet Holder

**F** **22** **M** **44**